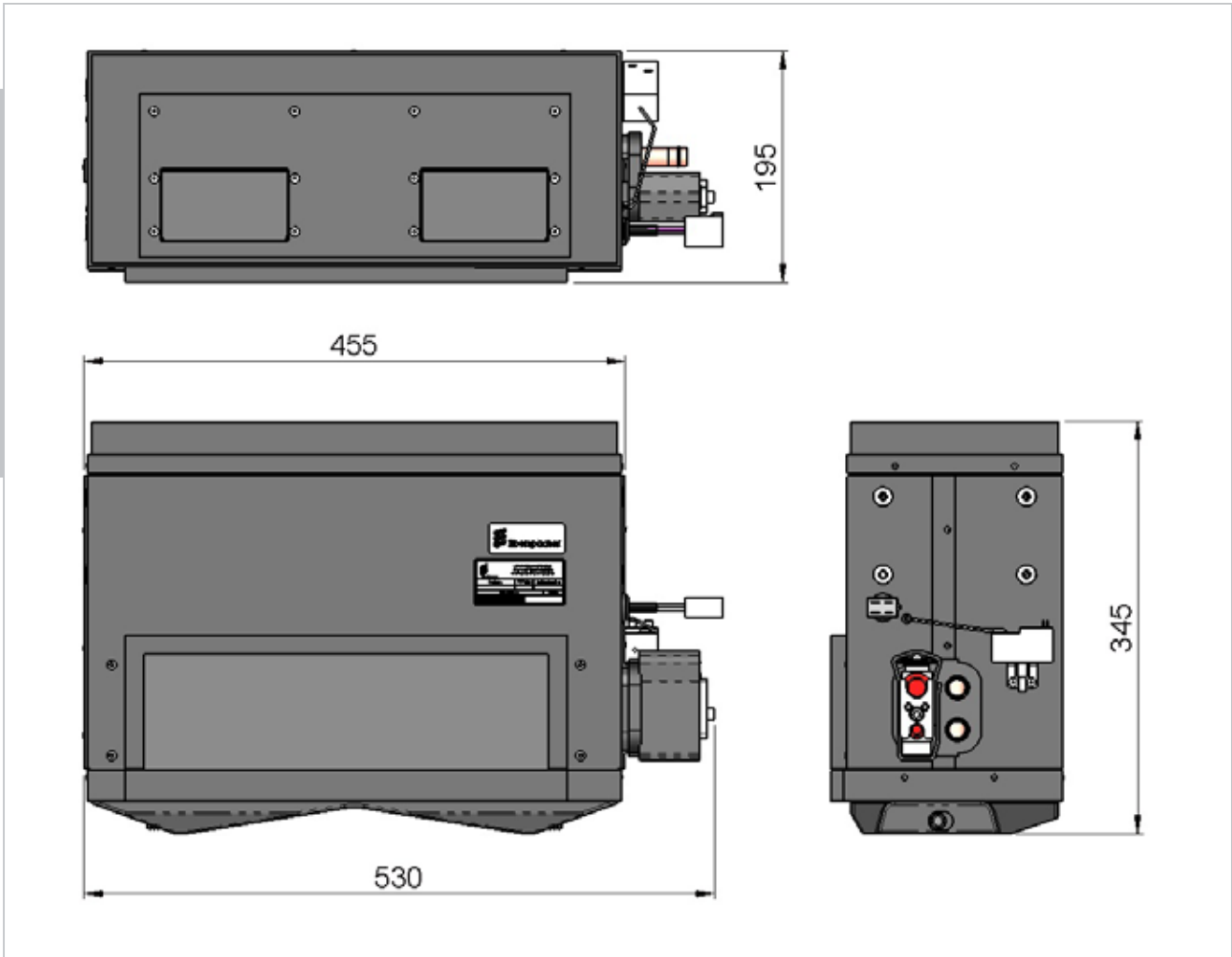


HV410V VERTICAL EVAPORATOR – HEATING AND COOLING





DESCRIPTION

HV410V	Part Number	Voltage
	81.1009.10.0448	12 Volt
	81.1009.10.0541	24 Volt
HV410V with TXV + SOL	Part Number	Voltage
	81.1009.10.0552	12 Volt
	81.1009.10.0554	24 Volt

SPECIFICATIONS

Voltage	12V / 24V
Cooling Performance	10 kW
Heating Performance	12 kW
Electrical Consumption	230 W
Airflow	700 m ³ /h
Weight	7.7 kg
Dimensions (W x D x H)	452mm x 193mm x 344mm

Eberspächer (UK) Ltd
 Climate House
 Yeoman Road, Ringwood
 Hampshire BH24 3FA
 Tel: 01425 480151
 Fax: 01425 480152
 enquiries@eberspaecher.com
 www.eberspaecher.com

