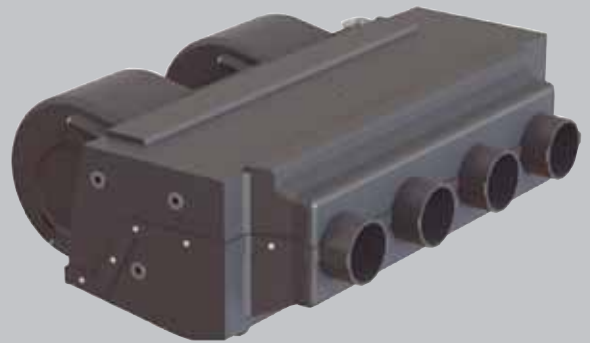
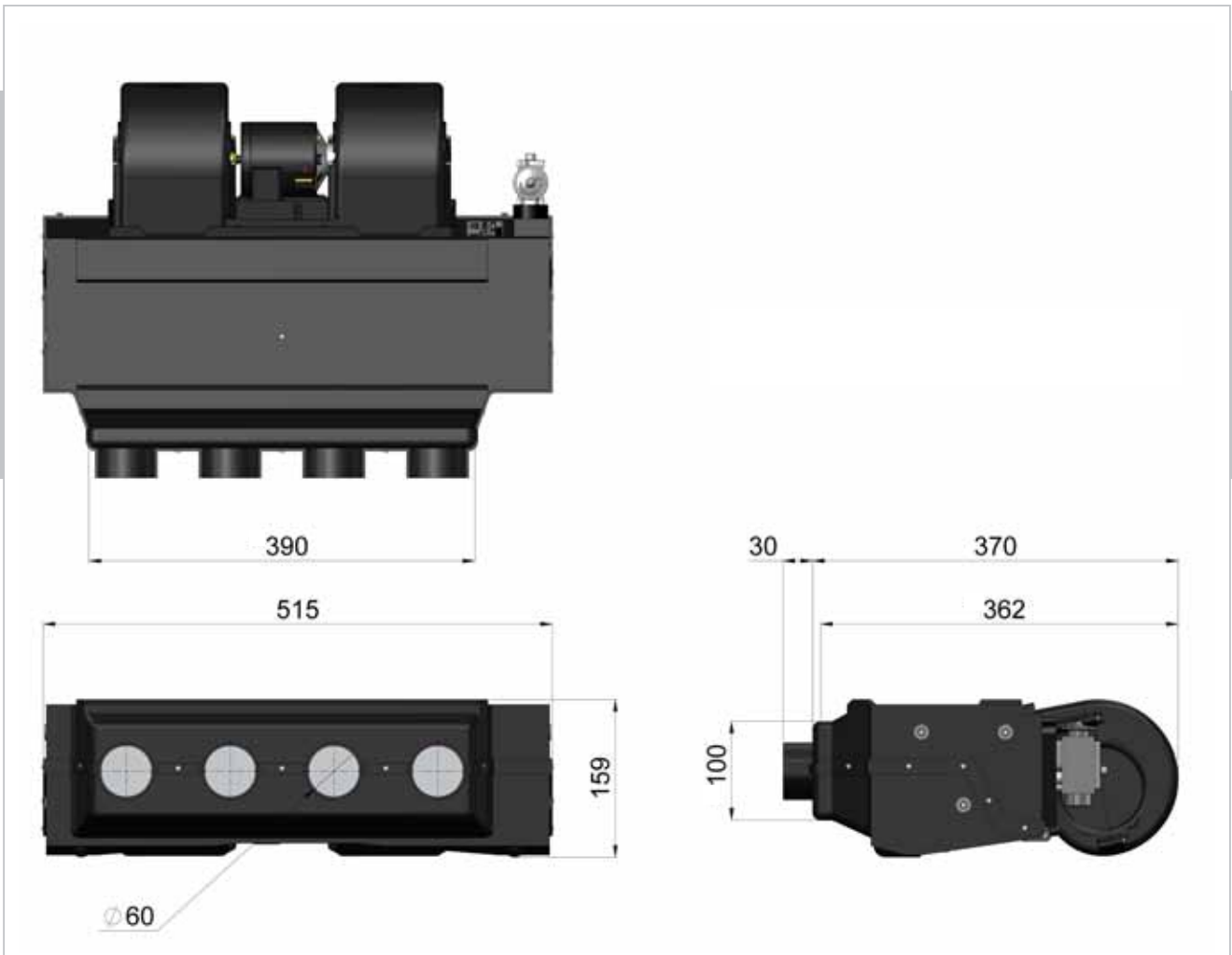


EV510 EVAPORATOR – COOLING ONLY





DESCRIPTION

EV510 with spigots	Part Number	Voltage
	81.1009.10.0325	12 Volt
	81.1009.10.0406	24 Volt
EV510 without spigots	Part Number	Voltage
	81.1009.10.0413	12 Volt
	81.1009.10.0419	24 Volt

SPECIFICATIONS

Voltage	12V / 24V
Cooling Performance	10 kW
Electrical Consumption	230 W
Airflow	700 m ³ /h
Weight	6.0 kg
Dimensions (W x D x H)	515mm x 400mm x 160mm