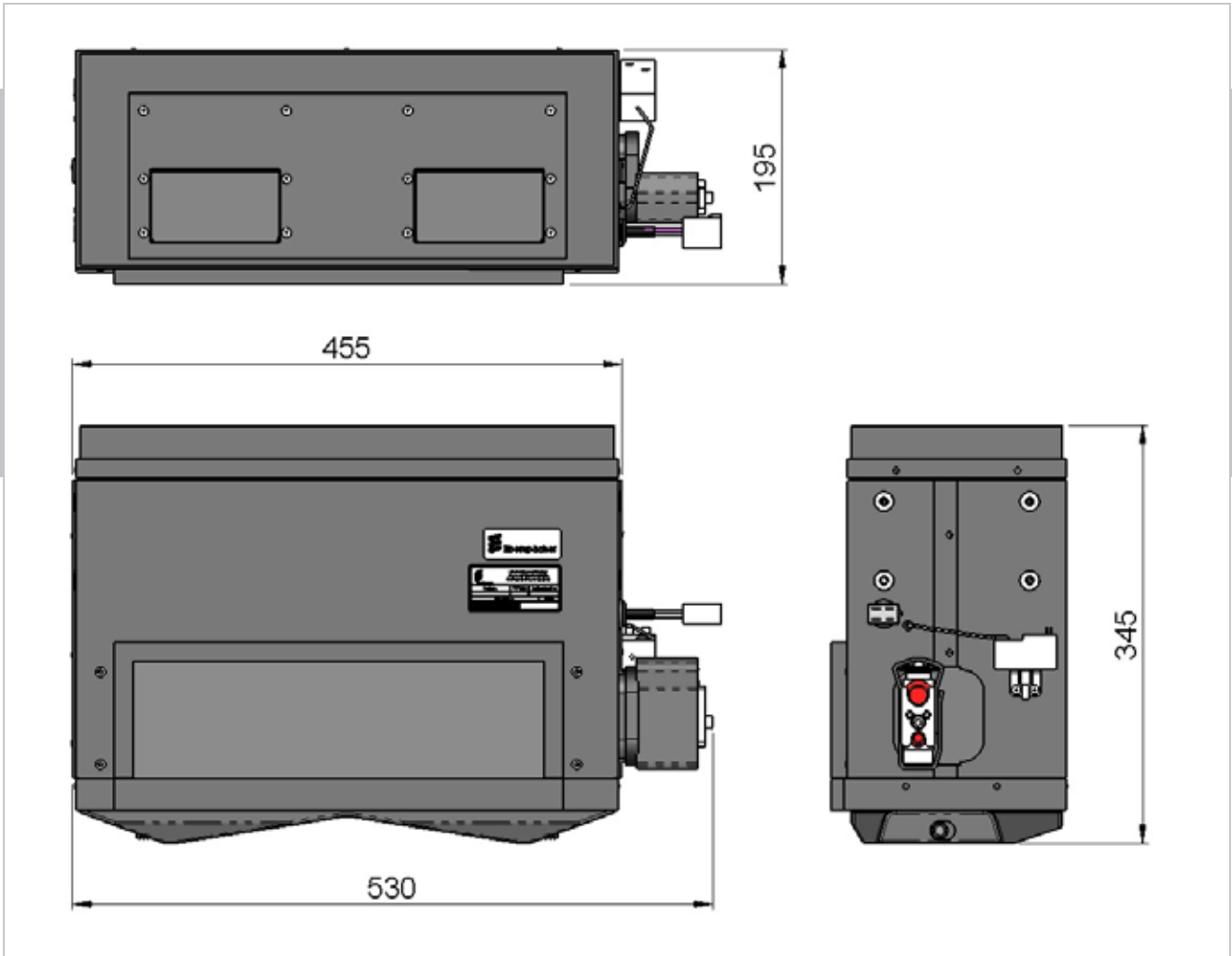



## EV410V VERTICAL EVAPORATOR – COOLING ONLY





**DESCRIPTION**

EV410V	Part Number	Voltage
	81.1009.10.0546	12 Volt
	81.1009.10.0548	24 Volt
EV410V with TXV + SOL	Part Number	Voltage
	81.1009.10.0556	12 Volt
	81.1009.10.0558	24 Volt

**SPECIFICATIONS**

Voltage	12V / 24V
Cooling Performance	10 kW
Electrical Consumption	230 W
Airflow	700 m <sup>3</sup> /h
Weight	6.8 kg
Dimensions (W x D x H)	452mm x 193mm x 344mm

**Eberspächer (UK) Ltd**  
 Climate House  
 Yeoman Road, Ringwood  
 Hampshire BH24 3FA  
 Tel: 01425 480151  
 Fax: 01425 480152  
 enquiries@eberspaecher.com  
 www.eberspaecher.com

