

DIGITAL AUTOMATIC TEMPERATURE CONTROLLER – FOR CLIMATE CONTROL WITH ADDITIONAL AIRTRONIC HEATER



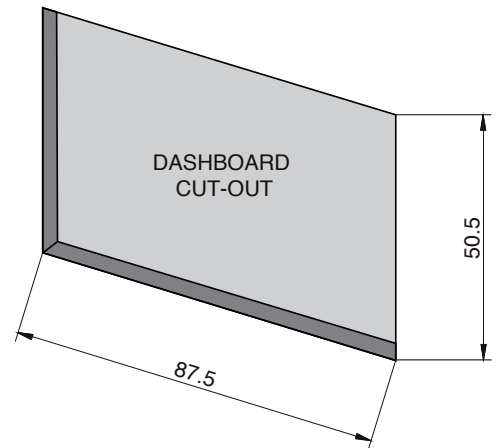
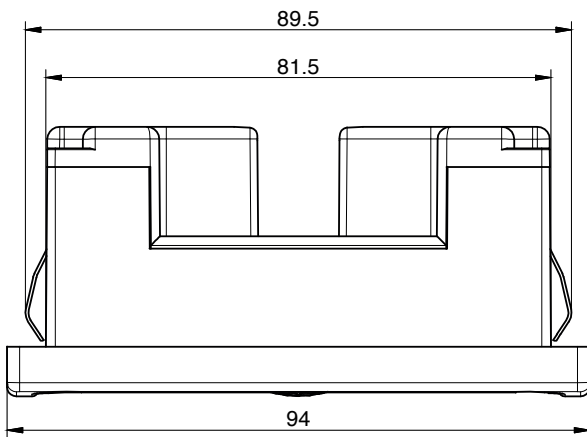
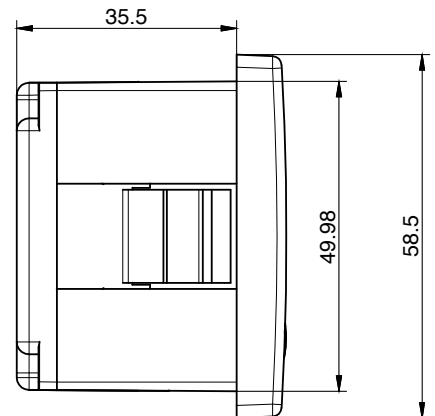
SEE THE BENEFITS DAY AND NIGHT

- High contrast white LED, back-lit for easy reading of display, day and night.
- Digital automatic temperature control.
- 1/2 DIN slot dimension to fit standard vehicle interiors.
- Moulded soft-feel, push-button panel.
- Sealed front, to provide long-term protection and continuous reliability.
- Provides automatic control of air conditioning and heater fan matrix.
- Provides control of additional Airtronic heater.



Actual Size

CONTROLLER – TECHNICAL DATA



All dimensions in mm

PERFORMANCE / ELECTRICAL AND ENVIRONMENTAL TESTS

Operating Voltage Range: 10.5 ÷ 16V / 18 ÷ 32V

Nominal Power Supply: 12V / 24V

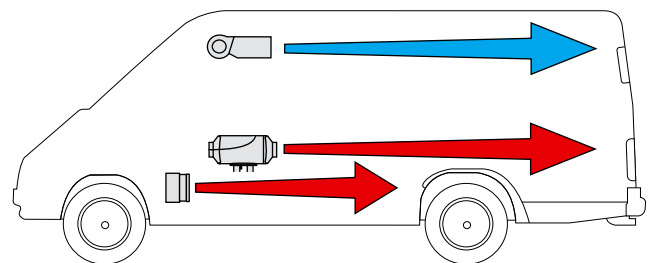
Output Rated Current – Each Pin: Maximum 400mA

Operating Temperature Range: From -30°C to 85°C

Storage Temperature Range: From -40°C to 90°C

Water / Duster Resistance on Front Panel: IP54

CLIMATE CONTROL WITH AIR CONDITIONING, HEATER FAN MATRIX AND AIRTRONIC HEATER



Eberspächer (UK) Ltd

Climate House, Yeoman Road

Ringwood, Hampshire BH24 3FA

Tel: 01425 480151 – Fax: 01425 480152

enquiries@eberspaecher.com – www.eberspaecher.com